

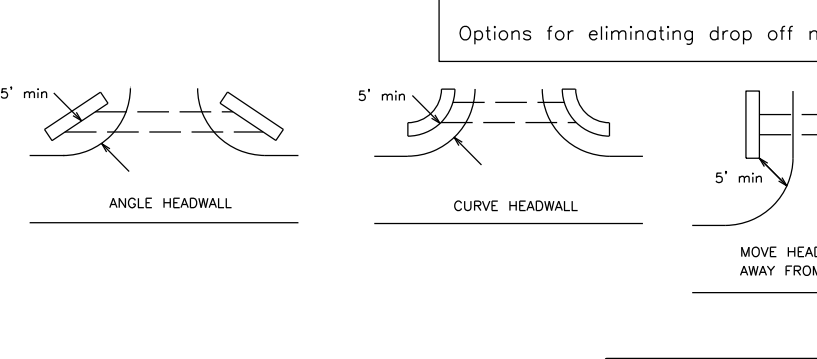
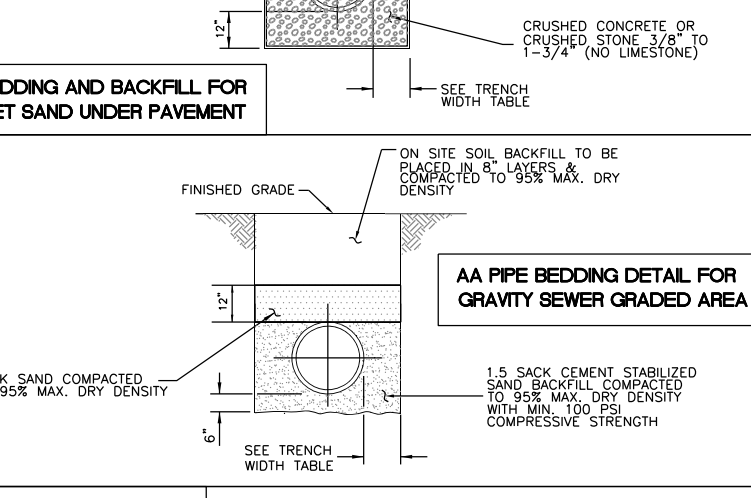
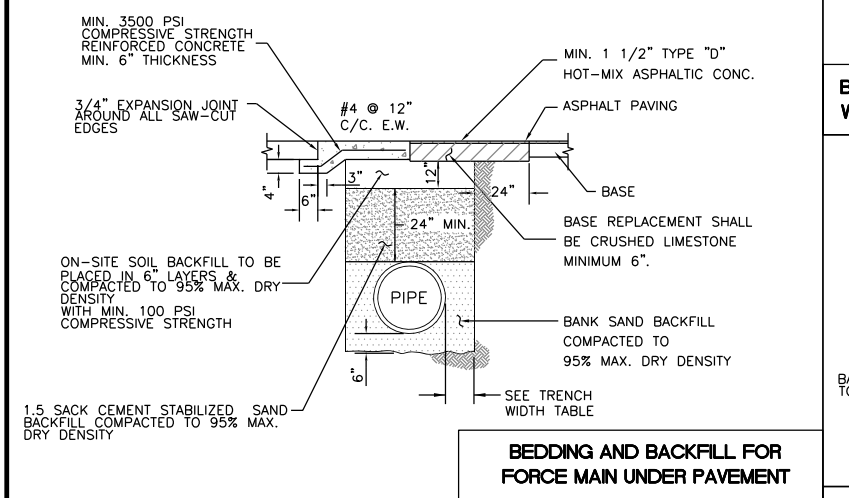
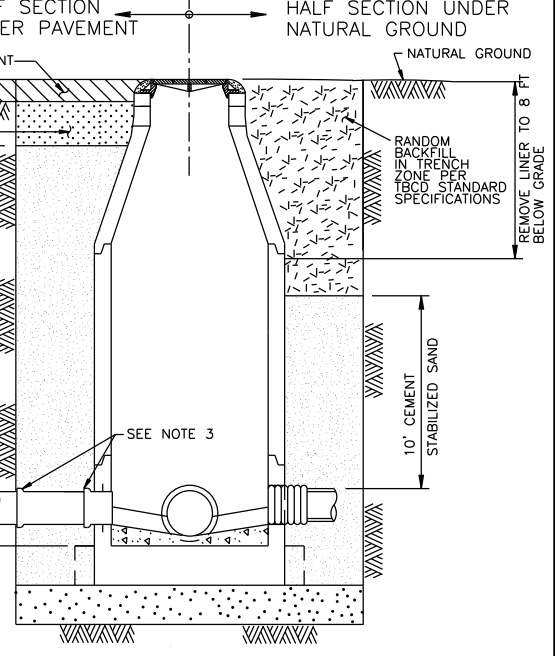
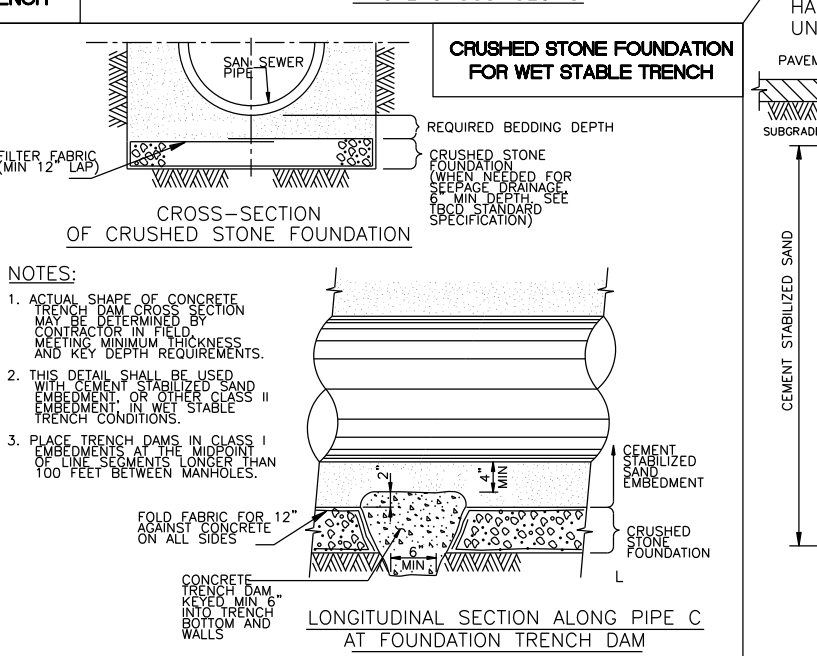
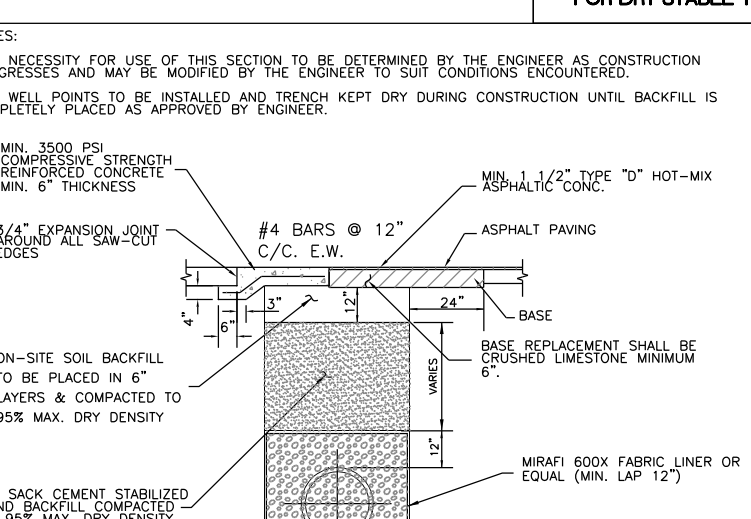
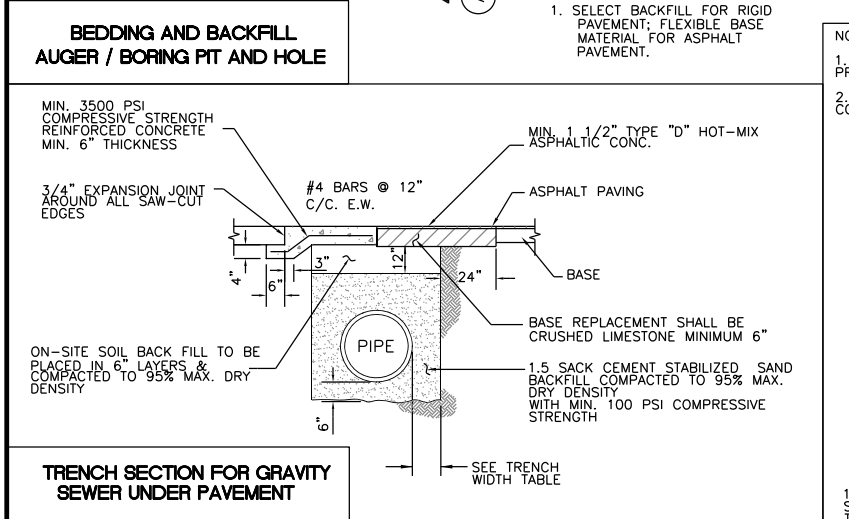
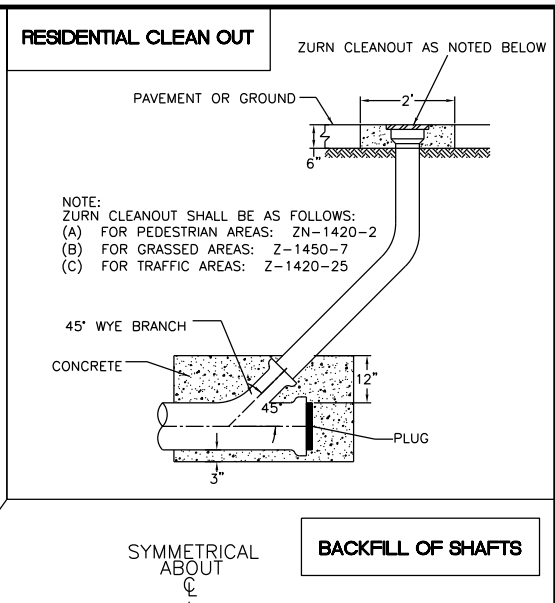
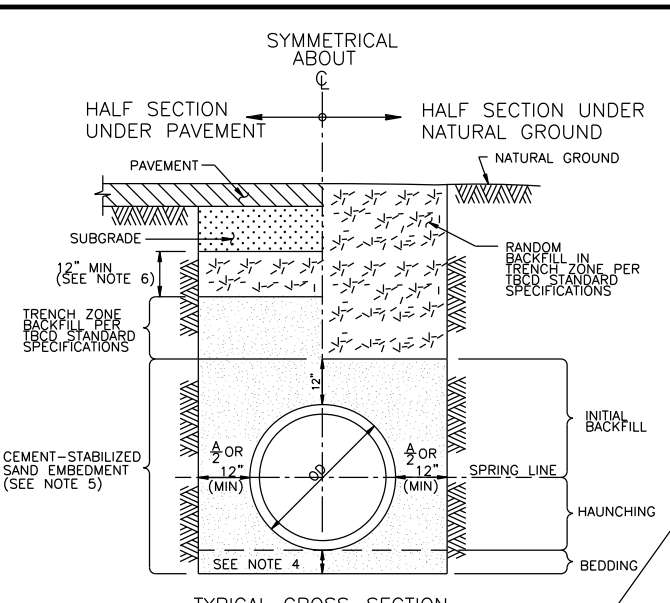
**NOTES:**

- THIS DETAIL MAY BE USED ONLY FOR DRY STABLE TRENCH CONDITIONS PER TBCD STANDARD. SEE TBCD STANDARD SPECIFICATION FOR REQUIREMENTS IN OTHER CONDITIONS.
- MIN TRENCH WIDTH SHALL BE PIPE OD PLUS AN ALLOWANCE "A" FOR THE NOMINAL PIPE SIZE:

NOMINAL PIPE SIZE	"A"
18" TO 30"	24"
OVER 30"	36"

- MAX TRENCH WIDTH SHALL BE NOT GREATER THAN MIN TRENCH WIDTH PLUS 24 INCHES, UNLESS OTHERWISE NOTED.
- MIN BEDDING DEPTH SHALL BE THE GREATER OF ? OD OR 6 INCHES.
- ALTERNATIVE EMBEDMENT BACKFILL MATERIALS FOR FORCE MAINS MAY BE ALLOWED. SEE COH STANDARD SPECIFICATIONS.
- SELECT BACKFILL FOR RIGID PAVEMENT; FLEXIBLE BASE MATERIAL FOR ASPHALT PAVEMENT.
- DIMENSIONS NOTED WITH "9" SHALL BE SPECIFIED BY PROJECT ENGINEER.

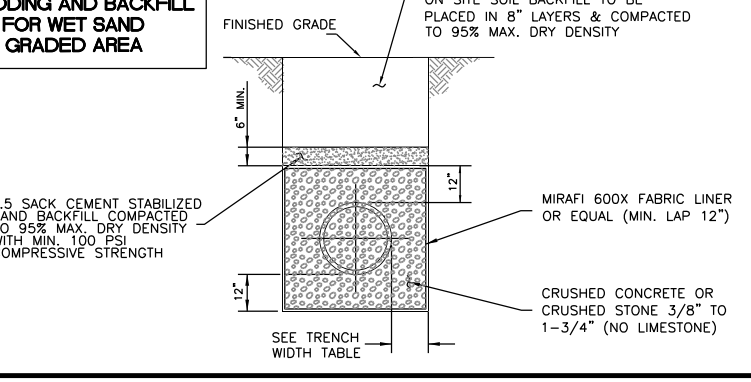
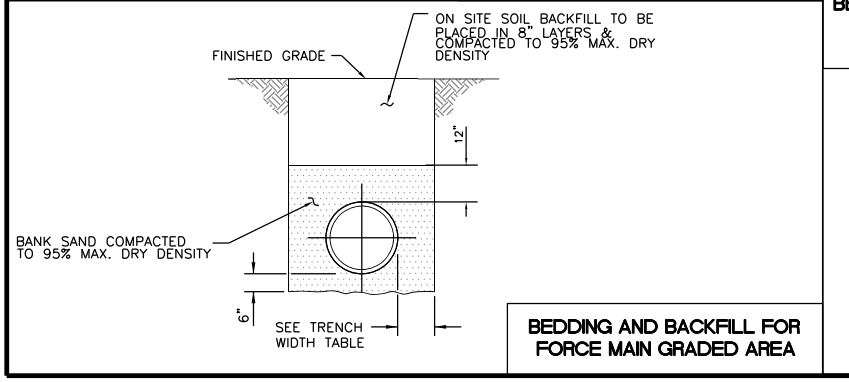
**BEDDING AND BACKFILL FOR DRY STABLE TRENCH**



**TYPICAL CROSS - SECTION**

**NOTES:**

- ROUTING OF MANHOLE STRUCTURE ANNUAL SPACE WILL BE PERMITTED IN CASES WHERE INSUFFICIENT WORK SPACE EXISTS FOR PLACEMENT AND COMPACTATION OF CEMENT STABILIZED SAND, PER TBCD STANDARD SPECIFICATION FOR TUNNEL GROUT.
- THIS DETAIL ALSO APPLIES TO BACKFILL OF SHAFTS WITHOUT STRUCTURES.
- ARRANGE PIPE JOINTS AS SHOWN WHEN USING RIGID CONNECTION TO CAST IN PLACE MANHOLE BASE.



**Mont Belvieu**  
TEXAS

Sanitary Sewer Standard Details

Scale: NTS

DWG No: 200 - 02

SHEET 2 OF 3

PLACE ENGINEERING SEAL HERE