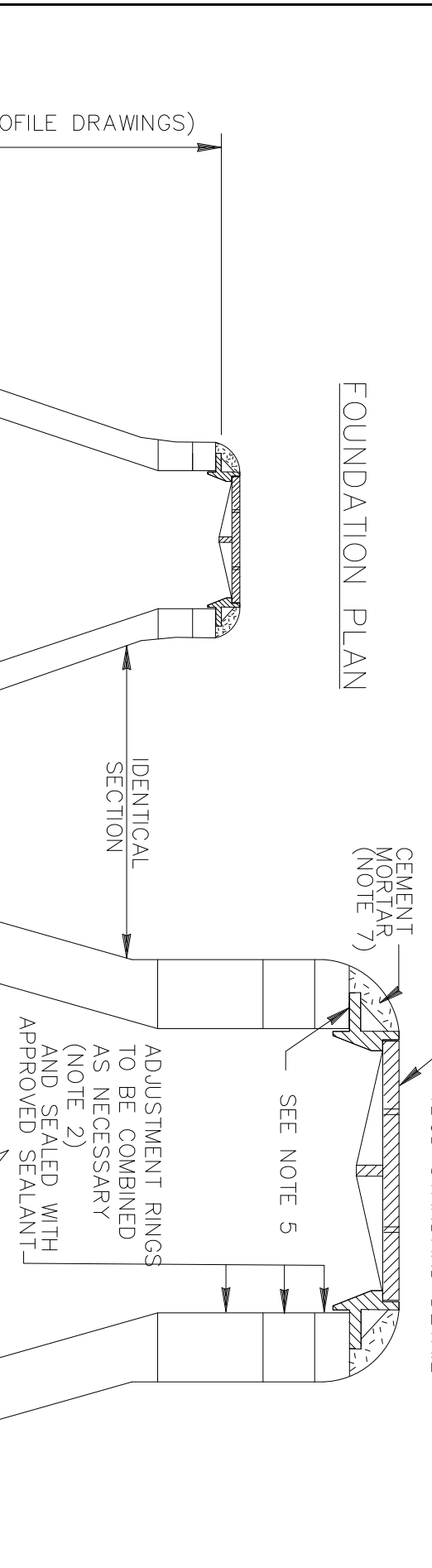
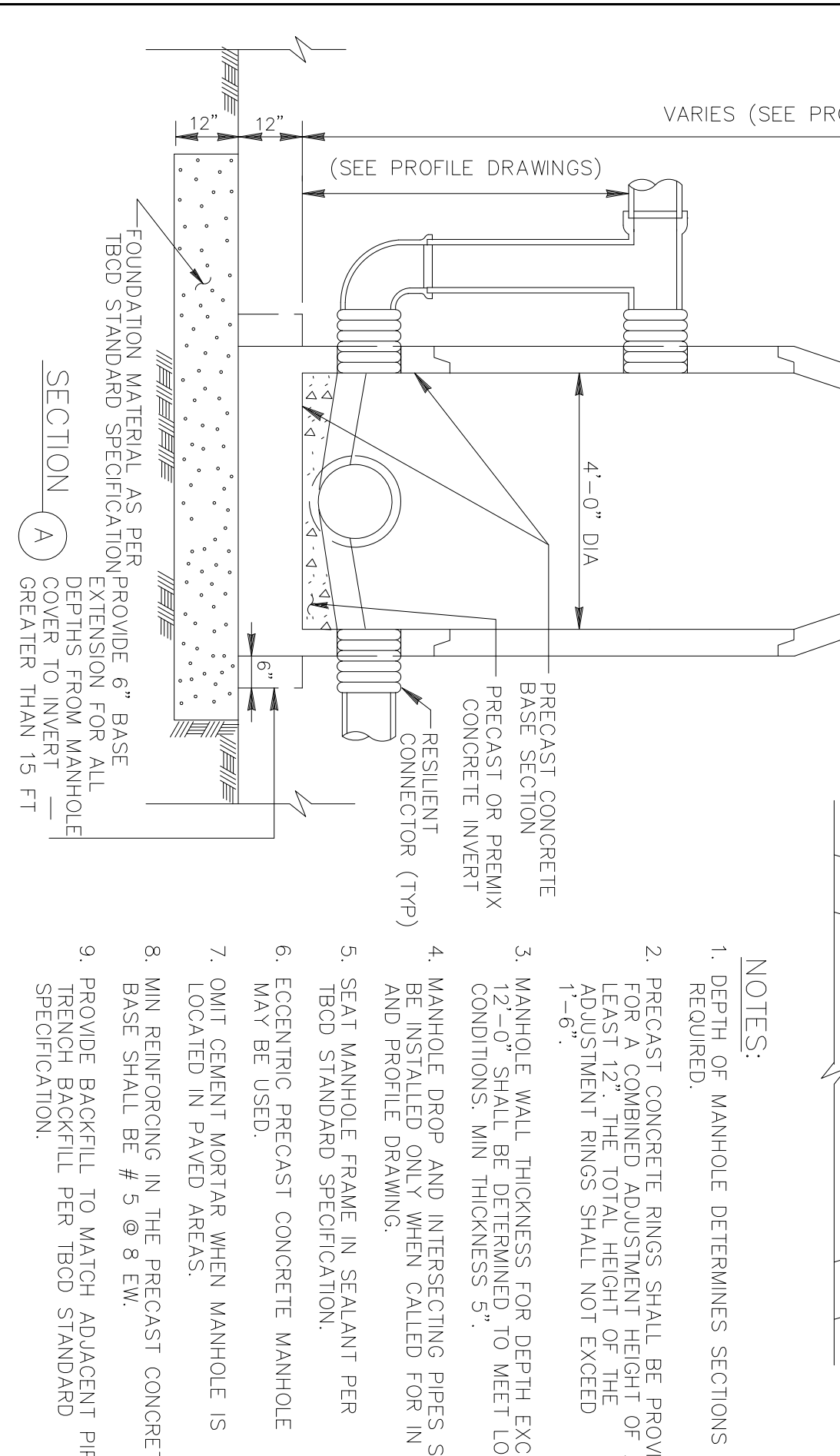


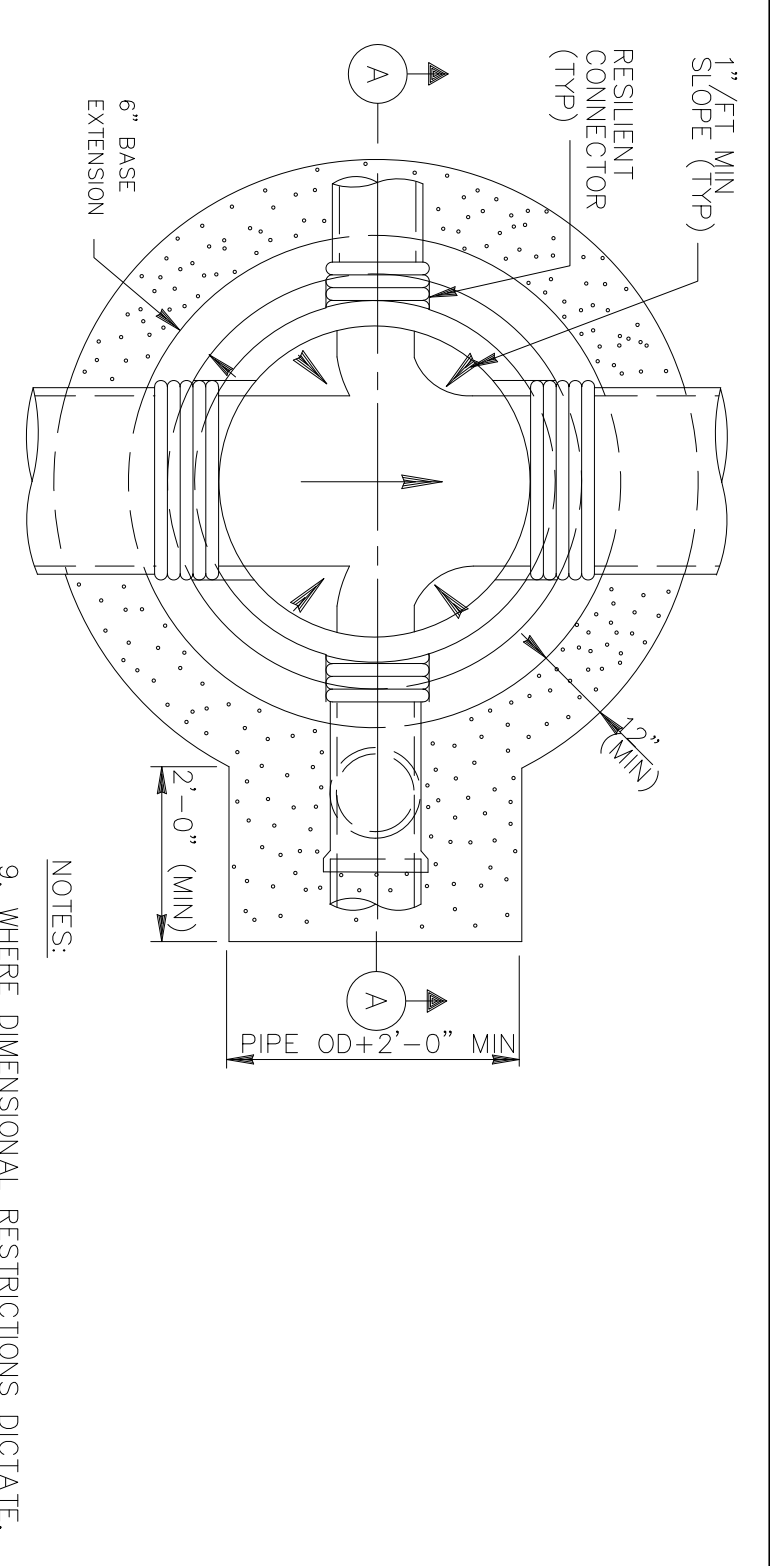
SANITARY SEWER
4'-0" DIAMETER PRECAST
CONCRETE MANHOLE



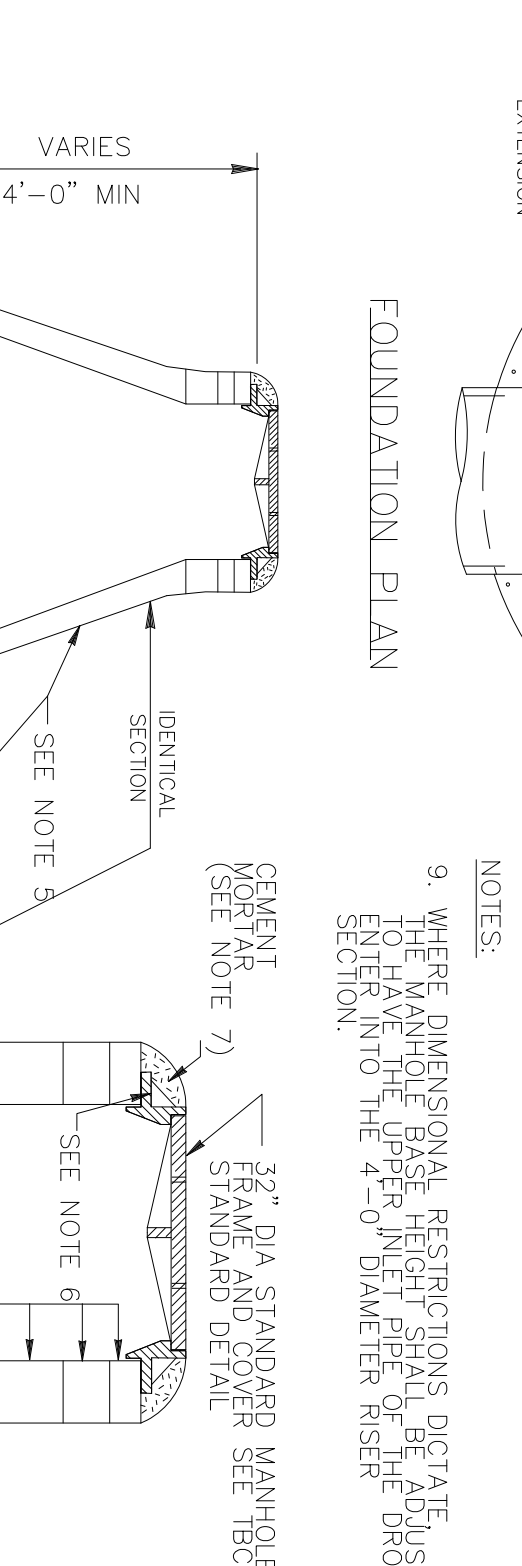
- NOTES:
- DEPTH OF MANHOLE DETERMINES SECTIONS REQUIRED.
 - PRECAST CONCRETE RINGS SHALL BE PROVIDED FOR A COMBINED ADJUSTMENT HEIGHT OF AT LEAST 12". THE TOTAL HEIGHT OF THE ADJUSTMENT RINGS SHALL NOT EXCEED 1'-6".
 - MANHOLE WALL THICKNESS FOR DEPTH EXCEEDING 12'-0" SHALL BE DETERMINED TO MEET LOADING CONDITIONS. MIN THICKNESS 5".
 - MANHOLE DROP AND INTERSECTING PIPES SHALL BE INSTALLED ONLY WHEN CALLED FOR IN PLAN AND PROFILE DRAWING.
 - SEAT MANHOLE FRAME IN SEALANT PER TBD STANDARD SPECIFICATION.
 - ECCENTRIC PRECAST CONCRETE MANHOLE MAY BE USED.
 - OMIT CEMENT MORTAR WHEN MANHOLE IS LOCATED IN PAVED AREAS.
 - MIN. REINFORCING IN THE PRECAST CONCRETE BASE SHALL BE # 5 @ 8 E.W.
 - PROVIDE BACKFILL TO MATCH ADJACENT PIPE SPECIFICATION.



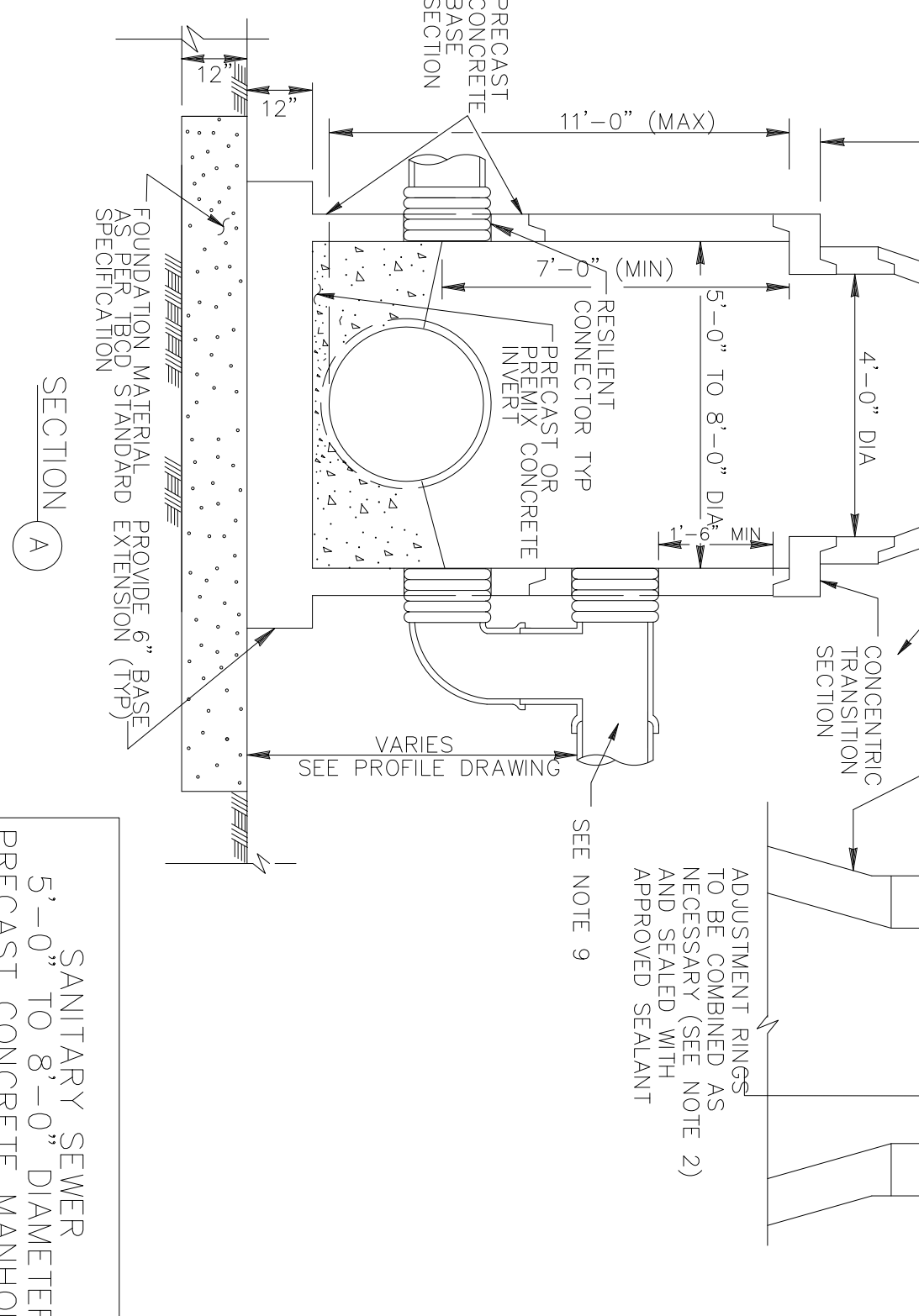
SECTION A
GREATER THAN 15 FT



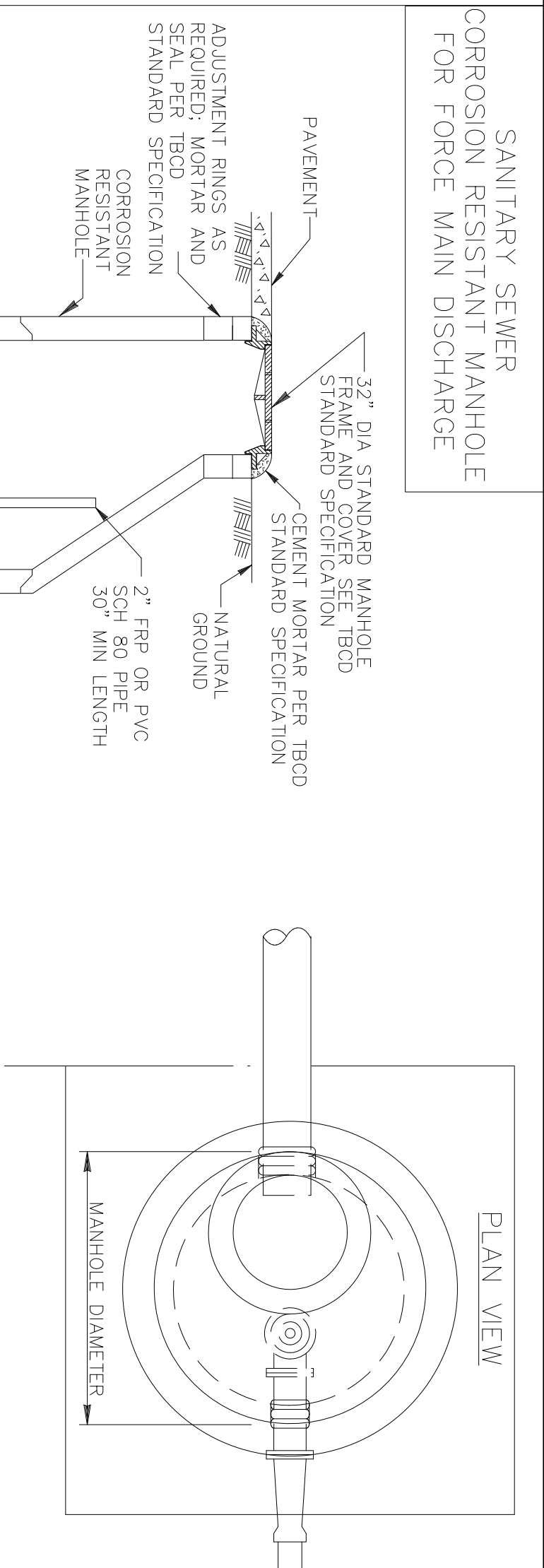
SANITARY SEWER
5'-0" TO 8'-0" DIAMETER
PRECAST CONCRETE MANHOLE



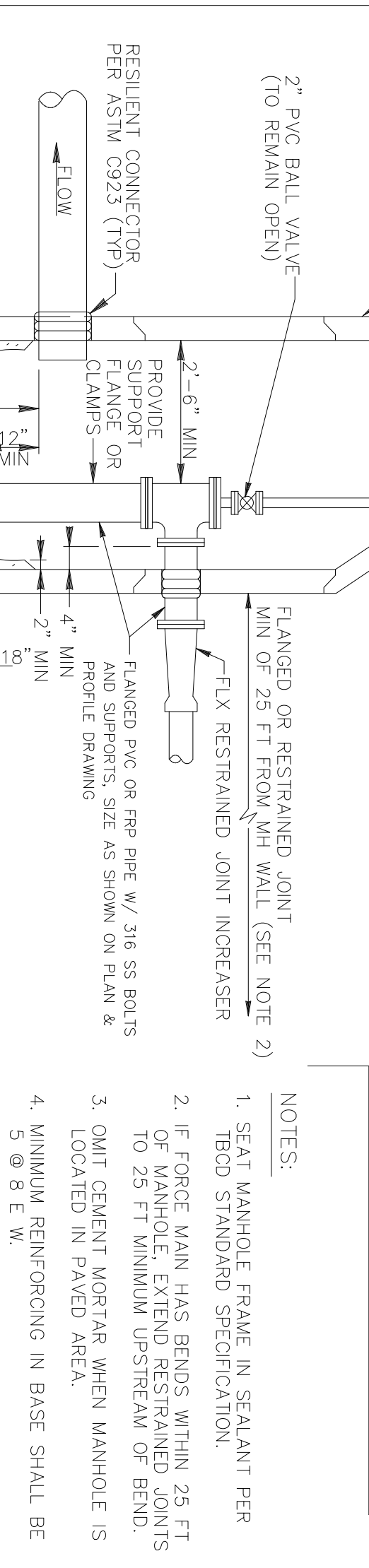
- NOTES:
- WHERE DIMENSIONAL RESTRICTIONS DICTATE TO HAVE THE UPPER INLET PIPE OF THE DROP ENTER INTO THE 4'-0" DIAMETER RISER.
 - ADJUSTMENT RINGS TO BE COMBINED AS NECESSARY (SEE NOTE 2) AND SEALED WITH APPROVED SEALANT.
 - SEE NOTE 3
 - SEE NOTE 6
 - SEE NOTE 9



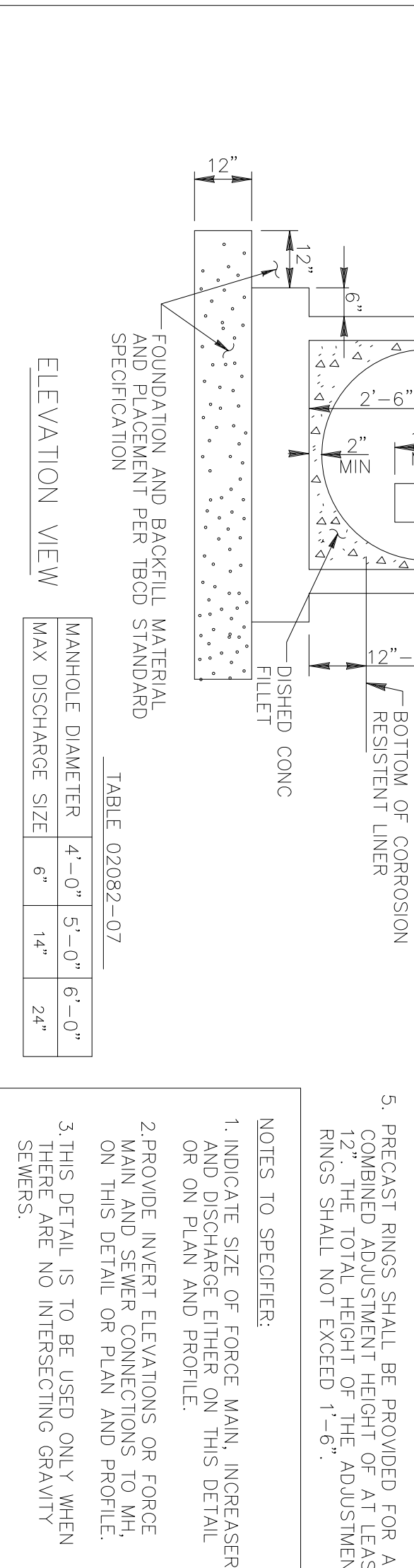
SECTION A



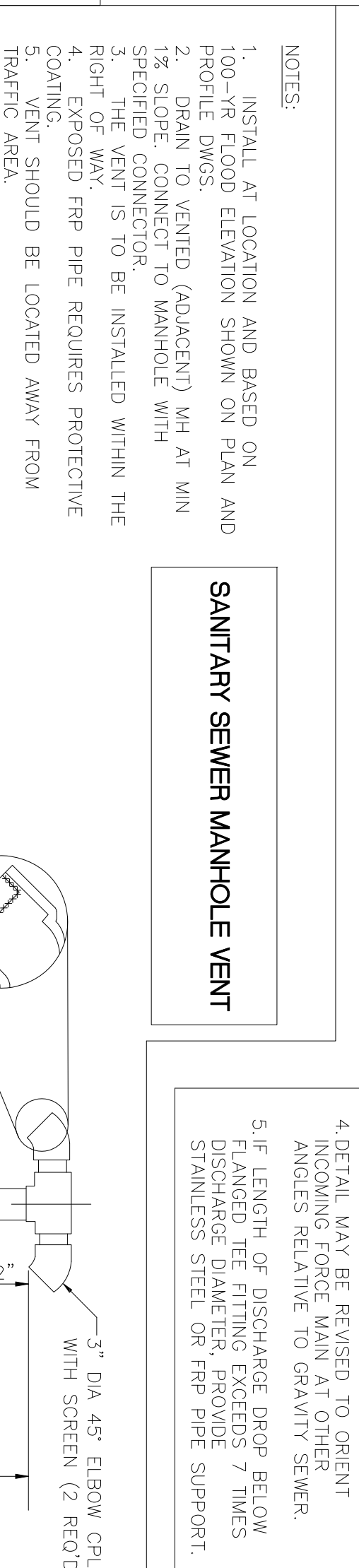
PLAN VIEW



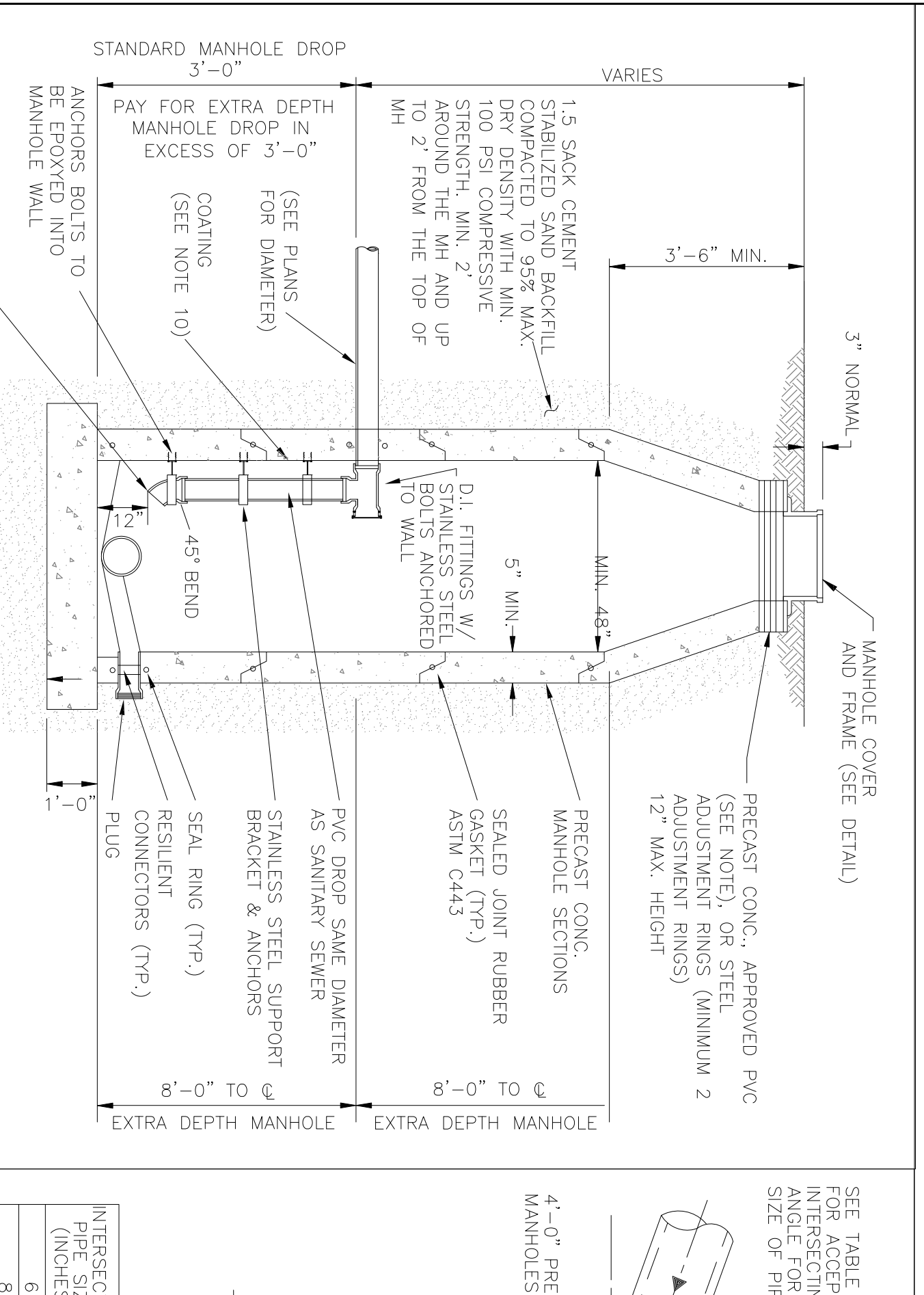
- NOTES:
- SEAT MANHOLE FRAME IN SEALANT PER TBD STANDARD SPECIFICATION.
 - IF FORCE MAIN HAS BENDS WITHIN 25 FT OF MANHOLE, EXTEND RESTRAINED JOINTS TO 25 FT MINIMUM UPSTREAM OF BEND.
 - OMIT CEMENT MORTAR WHEN MANHOLE IS LOCATED IN PAVED AREA.
 - MINIMUM REINFORCING IN BASE SHALL BE 5 @ 8 E.W.
 - PRECAST RINGS SHALL BE PROVIDED FOR A COMBINED ADJUSTMENT HEIGHT OF AT LEAST 12". THE TOTAL HEIGHT OF THE ADJUSTMENT RINGS SHALL NOT EXCEED 1'-6".



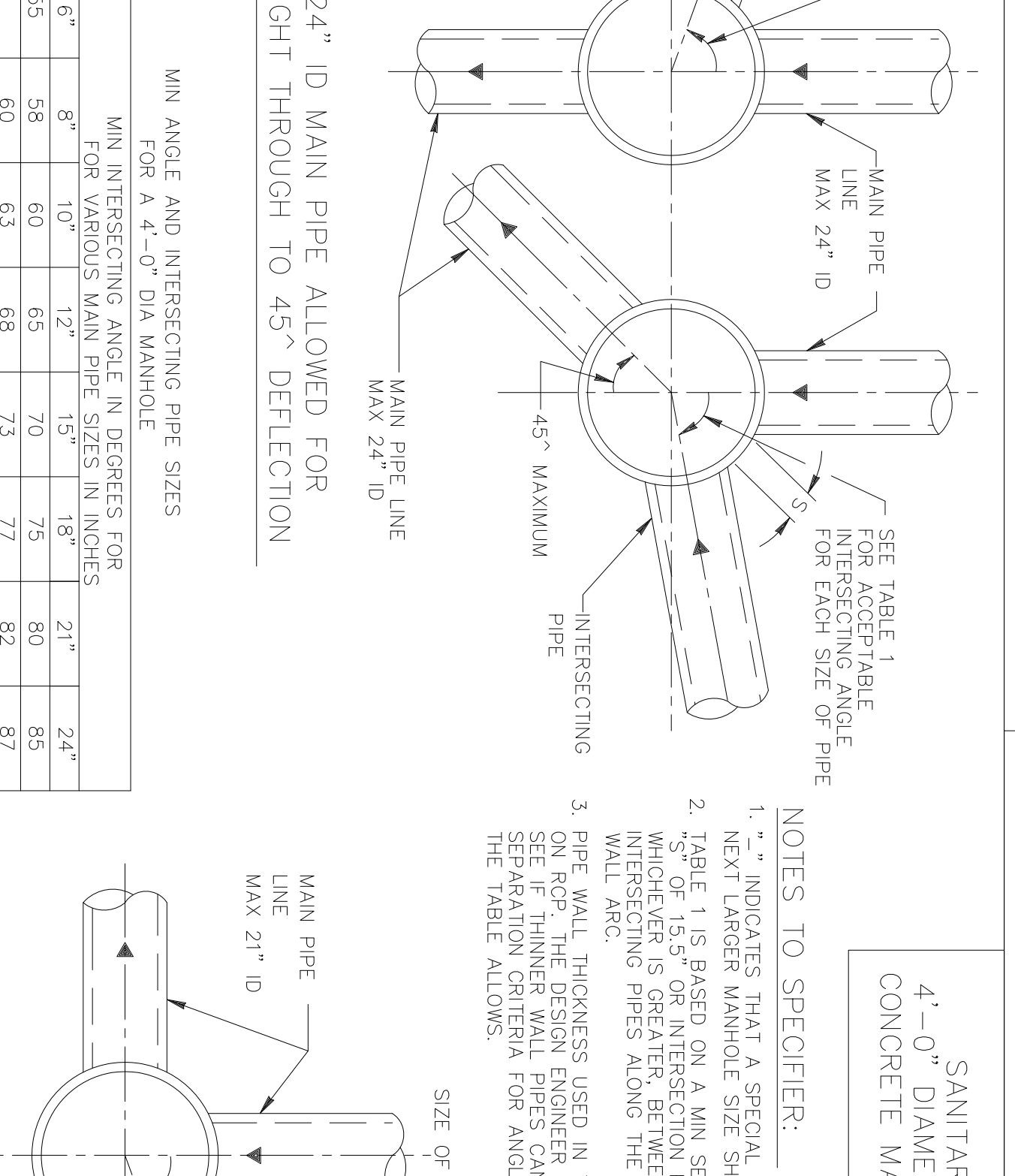
SANITARY SEWER MANHOLE VENT



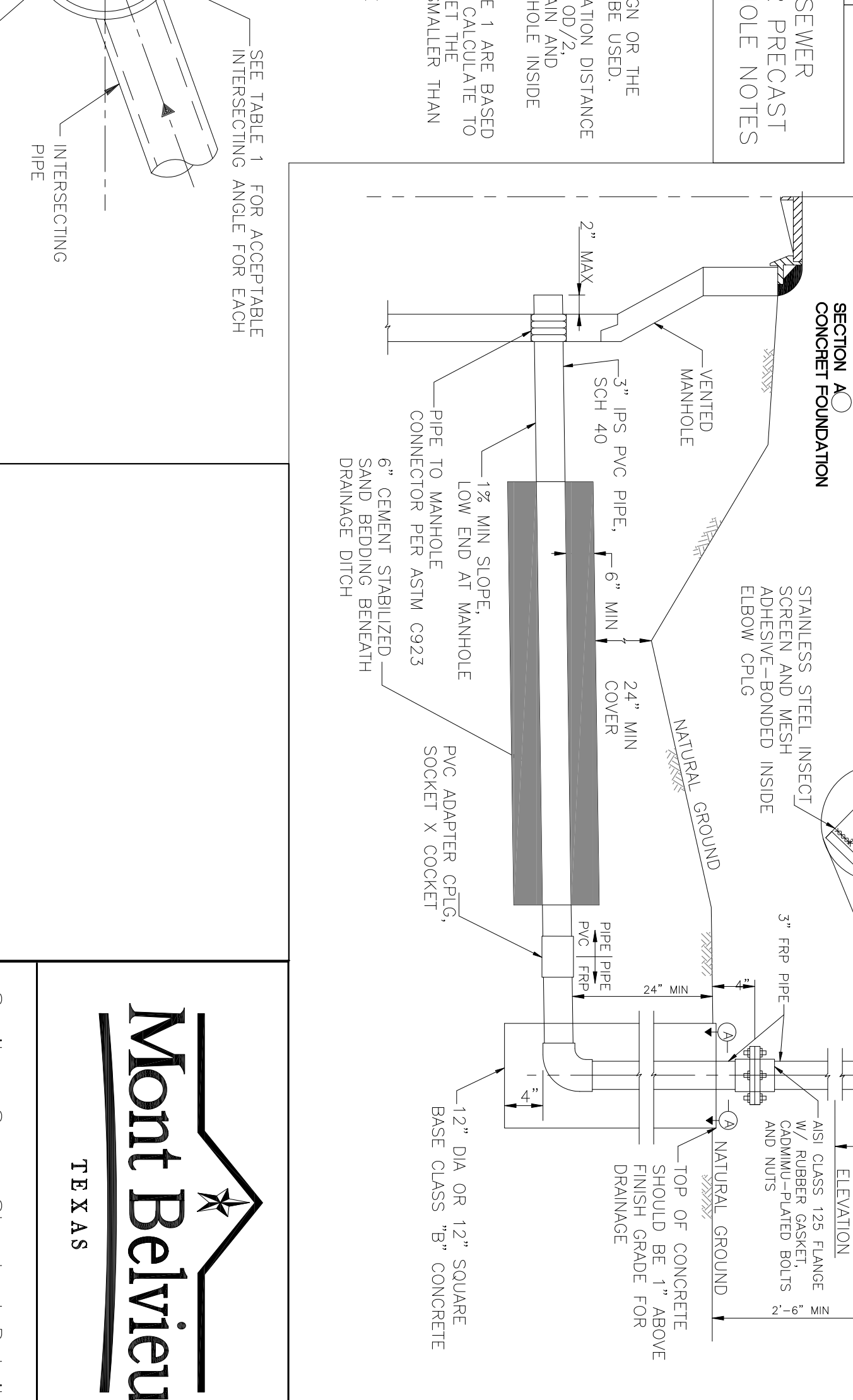
SECTION A



STANDARD PRECAST CONCRETE SANITARY SEWER MANHOLE AND INTERNAL DROP



SANITARY SEWER 4'-0" DIAMETER PRECAST CONCRETE MANHOLE NOTES



SANITARY SEWER 5'-0" TO 8'-0" DIAMETER PRECAST CONCRETE MANHOLE

INTERSECTING PIPE SIZE (INCHES)	6"	8"	10"	12"	15"	18"	21"	24"
6"	55	58	60	63	68	70	75	80
8"	60	63	65	68	73	75	82	87
10"	66	71	71	75	80	80	85	90
12"	76	80	80	85	90	90	95	100
15"	85	90	90	95	100	100	105	110
18"	95	100	100	105	110	110	115	120
21"	105	110	110	115	120	120	125	130
24"	115	120	120	125	130	130	135	140

